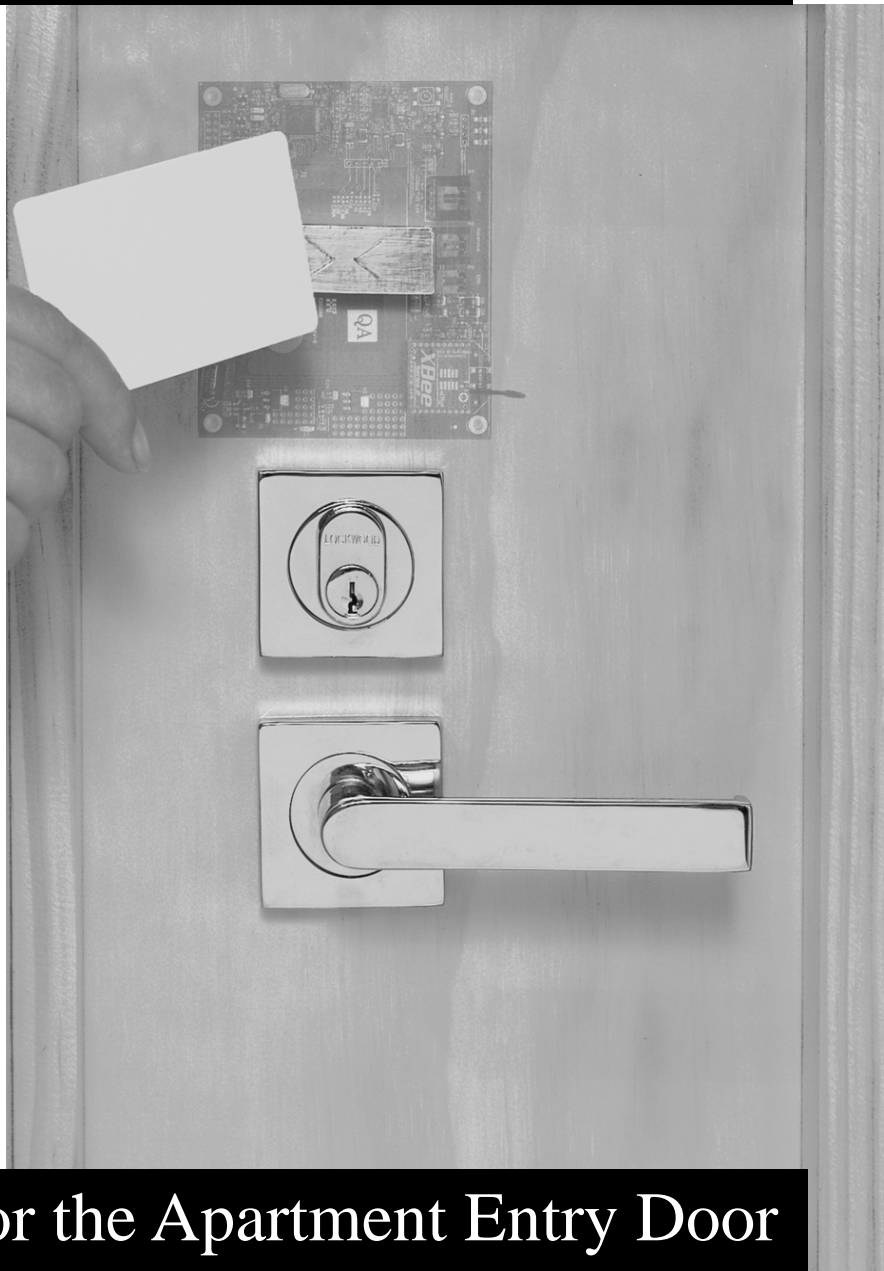


The Rhine System

Take Control of
your Security
with the Next
Generation of
Access Control
for Residential
living



Access Control for the Apartment Entry Door



Introduction

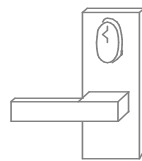
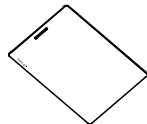
The new age of keyless entry

The latest design in residential living provides a keyless entry with the convenience of putting the owner in the driver seat to ensure your security is not compromised.

The worry of changing batteries is no longer a concern, we have incorporated an uninterrupted power supply that maintains constant power.

Simplicity at its best

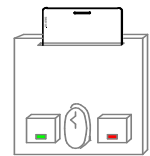
Simply present the smart card approximately 10cm above the stylish handle to be granted access.



Point of Distinction

This implicit electronic locking kit is innovative in its functionality:

1. Fail secure mortice lock
2. Emergency key override
3. Industry standard smart cards
4. Encrypted Wi-Fi communication



Intelligent Wonder

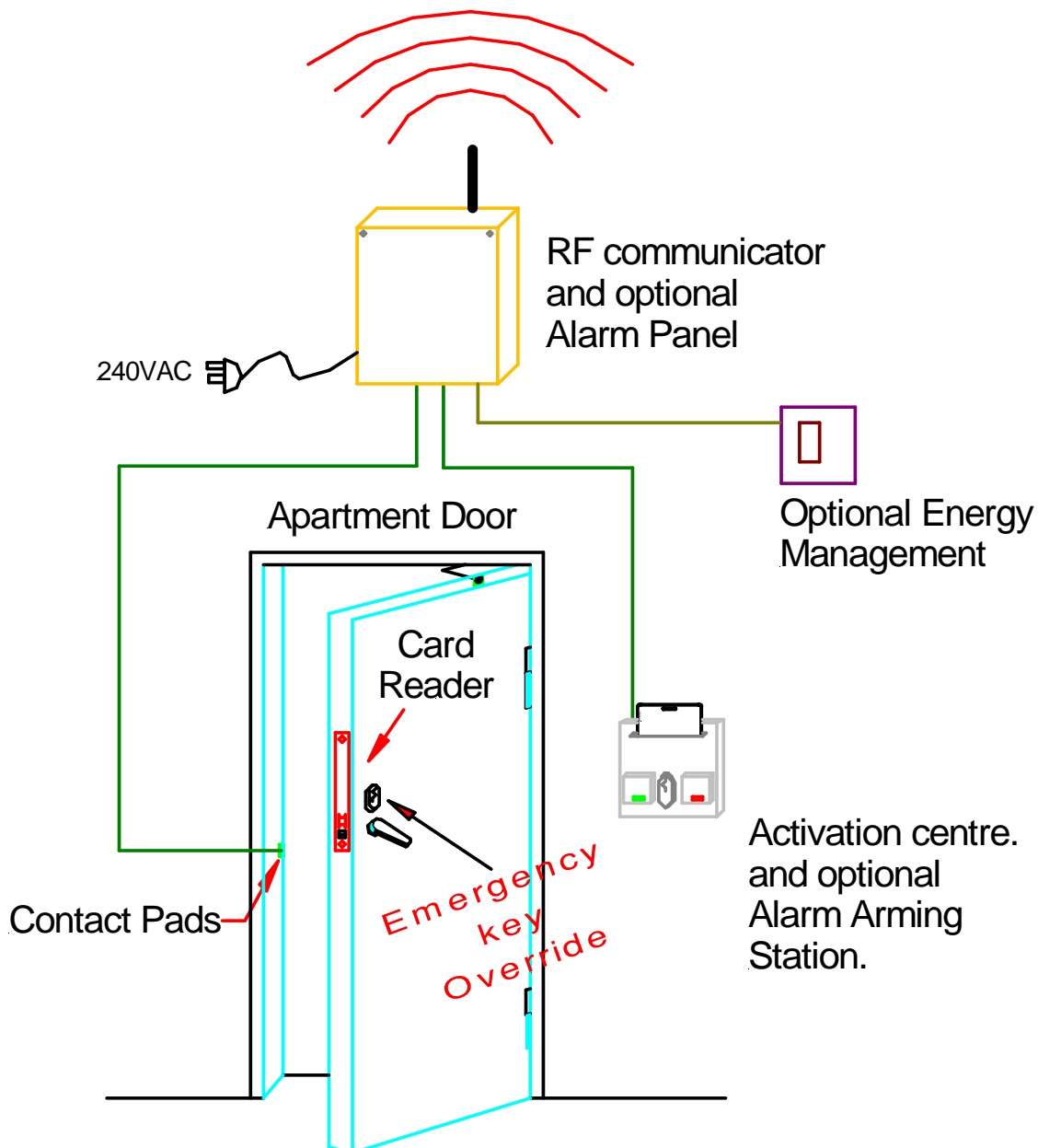
Smart card automation is as easy as ABC:

- A. Insert card
- B. Security off
- C. Energy control on

Apartment Kit

The Security Kit for residential living

1. RF communicator, uninterrupted power supply and cable loom set.
2. Energy Management and Activation Centre.
3. Two RFID Mifare smart cards. (optional extras are available)
4. Stylish Solid Brass handle set.
5. Electric Mortice Lock with Dead latch pin.
6. Emergency key cylinder override.
7. Two keyed-a-like cylinders.
8. Installation instruction and user manual.



Handle Styles



Manufactured in Australia by:

Chip Development Pty Ltd

Unit 6, 419-425 Old Geelong Road, Hoppers Crossing, Victoria 3029. Australia.

Phone: +61 3 9369 0866

Fax: +61 3 9369 0844

<http://www.chipdevelopment.com.au>

Distributors / Dealers / Location.

The above lever handles and escutcheon styles are typical representation of the diverse range that maybe fitted to the electric lock.

An alarm panel maybe fitted to the apartment kit on request, this option consist of 9 monitored inputs, controlled by the smart card to activate/de-activate the alarm system.